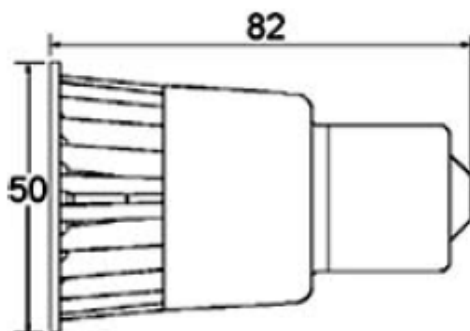


FLL-E27-5W-H E27 Base ELECTRICAL SPECIFICATION

Parameter	Value	Unit	Remark
Power Spec.			
Power Supply Voltage (Typ.)	100VAC ~ 240VAC	V	AC : 47 ~ 63Hz
Max. Power Voltage (Max.)	250 Vac	V	
Power Supply Current	<100mA	mA	
Power Consumption	5W	W	
Function Spec.			
Color Change Method	Power ON-OFF		default
Color Change Mode	1 sec change color 5 sec change color Fade change Smooth change		default
Default Mix Color	16 colors		
Optical Spec.			
Operating Life	>10,000	Hr	
Luminous Flux(typ.)	35 lux/m (typ.)	lux/m	
Luminous Flux(min.)	30 lux/m (min.)	lux/m	
Environment Spec.			
Operation Temperature	-20~50	°C	
Storage Temperature	-40~60	°C	
Operation Humidity	10~90	%	Non-Condensing
Option			
-I	IrDA Remote function		
-R	RS485 function		
-U	Waterproofing Apparatus		
-N	Flat		
-L	Lens		
-K	Cable		
-C	Crystal		

MECHANICAL DIMENSION



FLL-MR16-5W-L1 MR16 Base ELECTRICAL SPECIFICATION

Parameter	Value	Unit	Remark
Power Spec.			
Power Supply Voltage (Typ.)	9~48Vdc or 9~30Vac	V	AC : 47 ~ 63Hz
Max. Power Voltage (Max.)	20 Vac or 22 Vdc	V	
Power Supply Current	<600mA	mA	
Power Consumption	5W	W	
Function Spec.			
Color Change Method	Power ON-OFF		default
Default Color Change Mode	1 sec change color 5 sec change color Fade change Smooth change		
Default Single Color	16 colors		
Optical Spec.			
Operating Life	>10,000	Hr	
Luminous Flux(typ.)	35 lux/m (typ..)	lux/m	
Luminous Flux(min.)	30 lux/m (min..)	lux/m	
Environment Spec.			
Operation Temperature	-20~50	°C	
Storage Temperature	-40~60	°C	
Operation Humidity	10~90	%	Non-Condensing
Option			
-I	IrDA Remote function		
-R	RS485 function		
-U	Waterproofing Apparatus		
-N	Flat		
-L	Lens		
-K	Cable		
-C	Crystal		

MECHANICAL DIMENSION

