



T10-SERIES LED TUBE DIM - INSTALLATION DOC

WARNINGS:

- **Always make absolutely sure the power is off!**
- When testing for feeds, it is necessary to have the power on. Only have the power on **when doing the testing**. Otherwise, the power must remain off for your safety!
- Always follow local and regional NEMA Electrical codes. The NEMA code provides information on proper procedures and safety guidelines. The NEMA codes specify proper tools, connection methods and specifications on materials.
- Creative Lighting Solutions llc, and/or www.CreativeLightings.com can and will not be liable for any modifications or results of modifications to electrical devices or fixtures. These 'instructions' are provided as a reference. By using the 'instructions' included, you are solely responsible for following all applicable electrical safety procedures, codes, methods and materials.
- If you are unsure about any electrical modification or installation, please consult a licensed electrician or licensed electrical contractor in your area.

CAUTION:

THIS DIMMABLE PRODUCT REQUIRES 120VAC ONLY!!

DO NOT INSTALL THIS PRODUCT DIRECTLY INTO A FLUORESCENT FIXTURE THAT CONTAINS A BALLAST AND/OR STARTER.

A.) Before installing the LED Fluorescent Replacement Tube, Disconnect the power supply to the light/fixture for your safety. Wiring the fixture to use the LED Fluorescent Replacement Tube is simple, but should be performed by a qualified/licensed professional observing normal safety procedures.

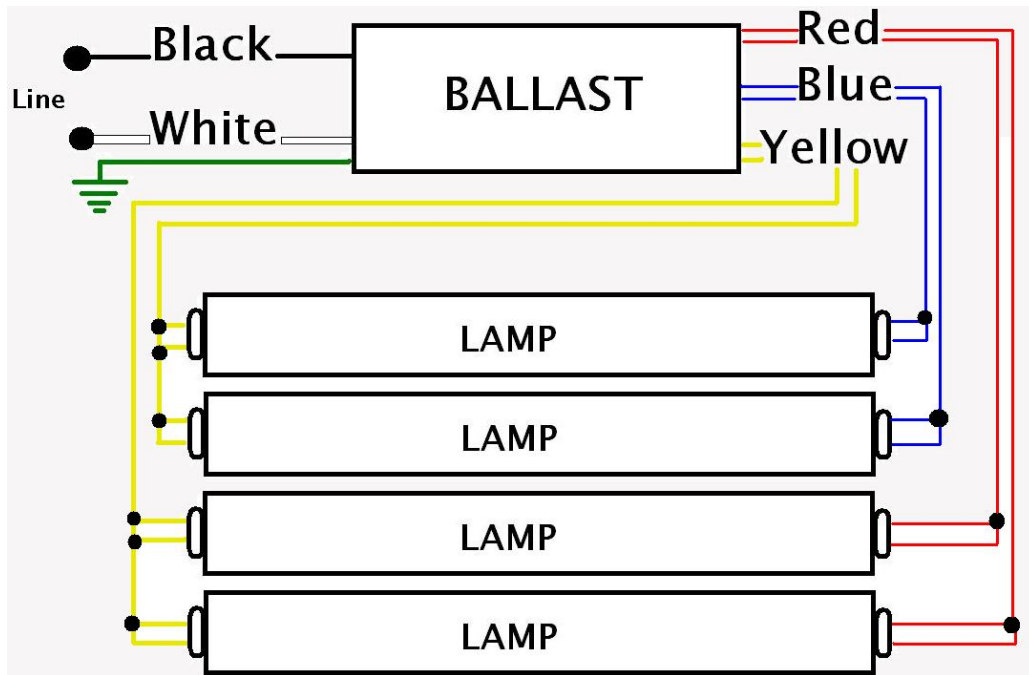
B.) LED FLUORESCENT TUBE:

- The two (2) pins at **ONE** end of the LED Fluorescent Replacement Tube are for **AC LINE POWER** (Labeled as such on the LED TUBE.) The opposite end is strictly for holding the tube in place (no connection)
- **REFER TO THE INCLUDED INSTALLATION INSTRUCTIONS (FOLD OUT) FOR PROPER RETROFIT WIRING!**
- The LED Fluorescent Replacement Tube fits in any T-SERIES Medium Bi-Pin (T8/T10/T12) socket. Replacement of the lamp holders should not be necessary.
- **Apply include metallic NOTICE/WARNING labels visibly to the modified fixture housing when complete.**
- We recommend use of a high quality Electronic Dimmer (Lutron(c) Diva) or equivalent for best operation.

PLEASE REFERENCE THE WIRING DIAGRAM FOR BALLAST REMOVAL AND WIRING OF THE T10 LED FLUORESCENT TUBE LIGHT!

TYPICAL BEFORE / AFTER RETROFIT WIRING FOR CREATIVE LIGHTING SOLUTIONS LED T10 TUBE LIGHT

BELOW IS A TYPICAL WIRING DIAGRAM OF A STANDARD FLUORESCENT FIXTURE:



NOTE: LED LAMPS ARE NOT INTENDED FOR USE IN 'INSTANT START "IS" FIXTURES WITH SHUNTED SOCKETS

RETROFIT WIRING FOR CREATIVE LIGHTING LED TUBE LAMP (POWER ON ONE WIRING AFTER BALLAST BYPASS - SINGLE END POWER CONNECTION

