

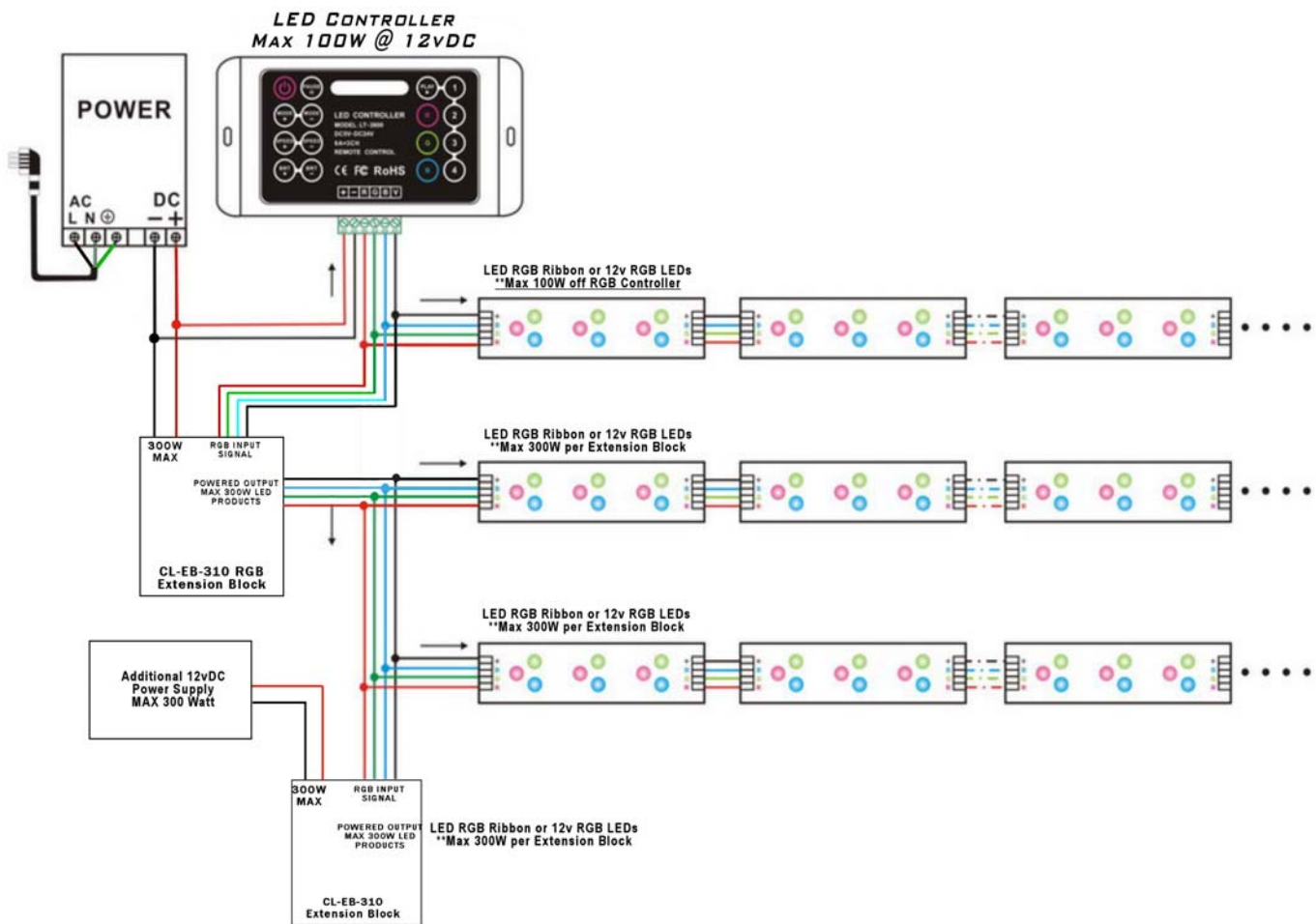


LED EB-310-L RGB Extension Block Wiring Instructions

Congratulations on your purchase of the CL-EB310-L RGB Repeater

The EB-310-L Extension block is commonly used for powering up to 30 Meters (6 Spools or 97 feet) of RGB Standard Density LED Ribbon or other RGB Product off of an RGB Controller.

Below is the common wiring of the EB-310-L Extension/Repeater block and typical installation.



Please be aware that another option of extending your RGB installation is using multiple EB-310-L Extension Blocks! All ribbon or RGB product can be driven exclusively off the EB-310-L Block while the RGB controller just feeds the signal to the EB-310-L Input. Additional Power Supplies (Drivers) and Extension Blocks can be used to extend your installation indefinitely!