



LED PAR 38 Light bulb will directly replace your existing Par 38 bulbs. Using 12 high output LEDs and only operating on 15 watts of power. Start saving money right away. Each bulb produces 800 lumens of evenly distributed light.

Wattage: 15 Watts

Voltage: 120V

Beam Angle: 45

CRI: 80

Lifespan: 5years

LED Q'ty: 12 pcs Epistar LEDs

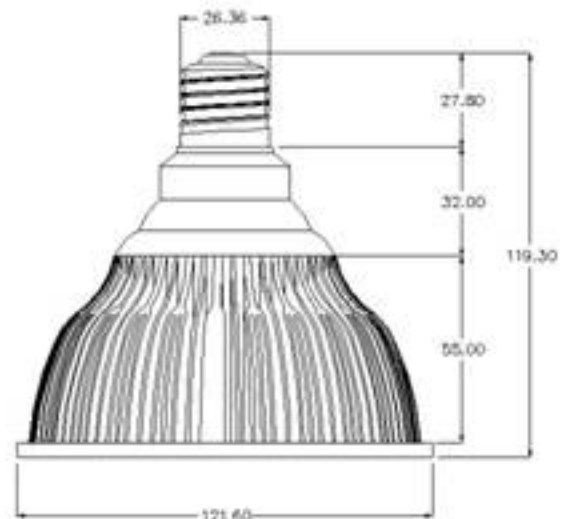
Base: E27, E26

Ambient Temperature: - 20~55

Work Temperature: - 20~45

Replaced By: 100 -150W incandescent bulb

Power Factor: 0.8



LED Color options: Warm White- **CL-P38-12W-120V-45-WW**
 Day White- **CL-P38-12W-120V-45-DW**