



LED PAR 30 Light bulb will directly replace your existing Par 30 bulbs. Using 7 high output LEDs and only operating on 9 watts of power. Start saving money right away. Each bulb produces 500-600 lumens of evenly distributed light.

Wattage: 9 Watts

Voltage: AC 120V

Beam Angle: 45 Degree

Dimmable

CRI : 80

Lifespan: 5 years

LED Q'ty: 7 pcs Epistar LEDs

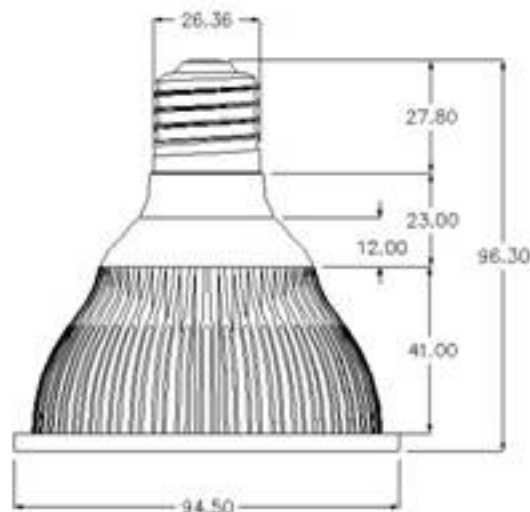
Base: E27, E26

Ambient Temperature: - 20~55

Work Temperature: - 20~45

Replaced By: 75W incandescent bulb

Power Factor: 0.8



LED Color options: Warm White- [CL-P30-6W-120V-45-WW-D](#)  
Day White- [CL-P30-6W-120V-45-DW-D](#)